

# ELFARFISA

Stereo  
**Syntorchestra**

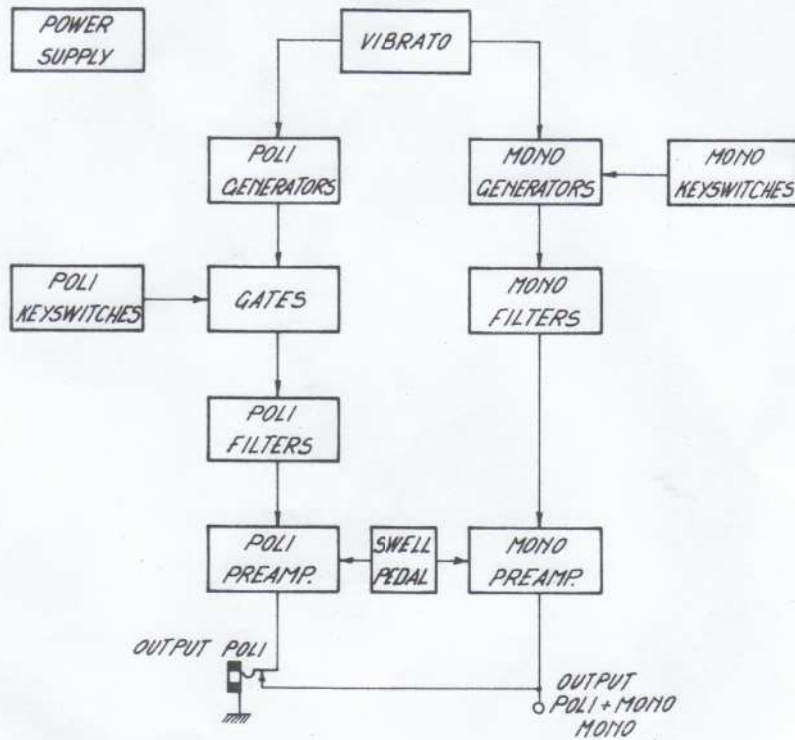
1<sup>a</sup> Edizione

---

**SCHEMATIC DIAGRAMS**

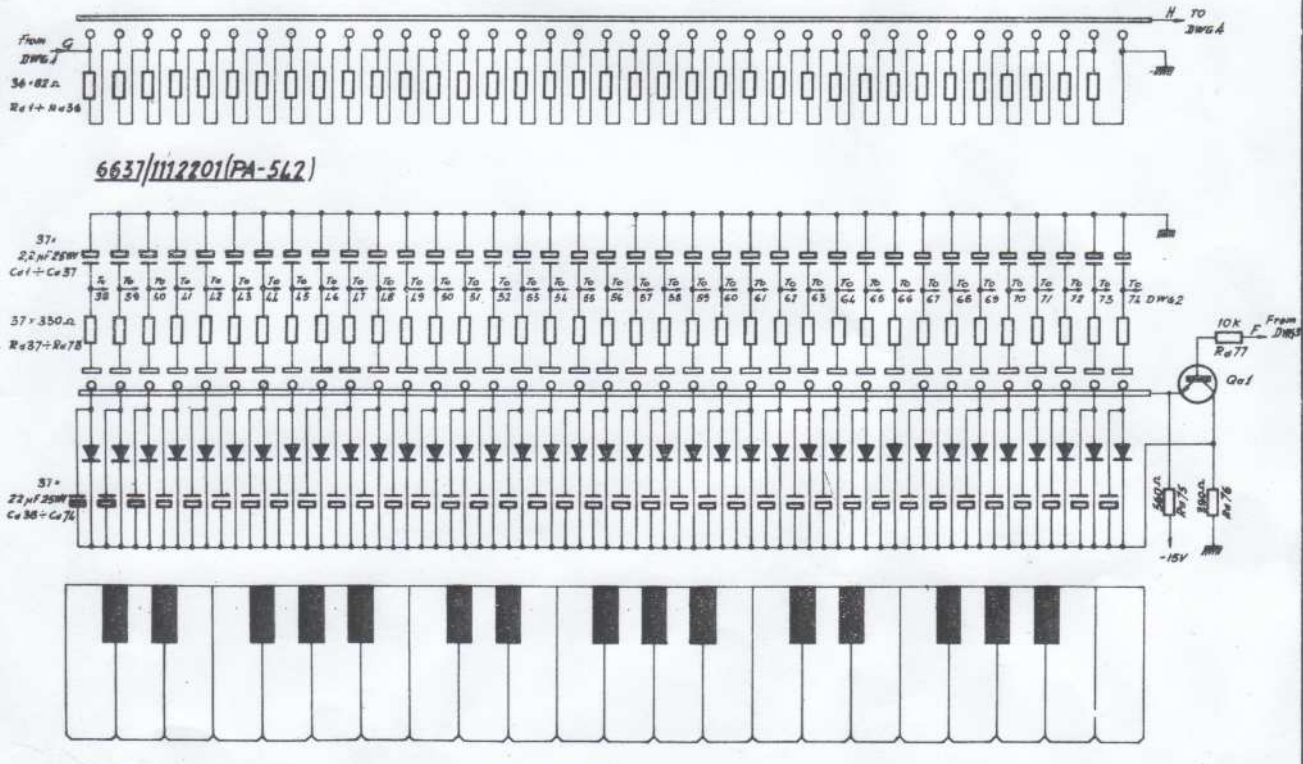
---

# BLOCK DIAGRAM



MOD.	SYR TORCHESTRA	SERIAL No.			
CODE	DRAWN BY	REVISION	DATE	DWG 1	OF 5
5E/201	[Signature]	[Signature]	[Signature]		

NOTES: 1) All resistors 1/4 W unless otherwise indicated.  
 2) All switches shown in OFF position.  
 3) All keyswitches shown in OFF position.  
 4) See parts list for component part numbers.

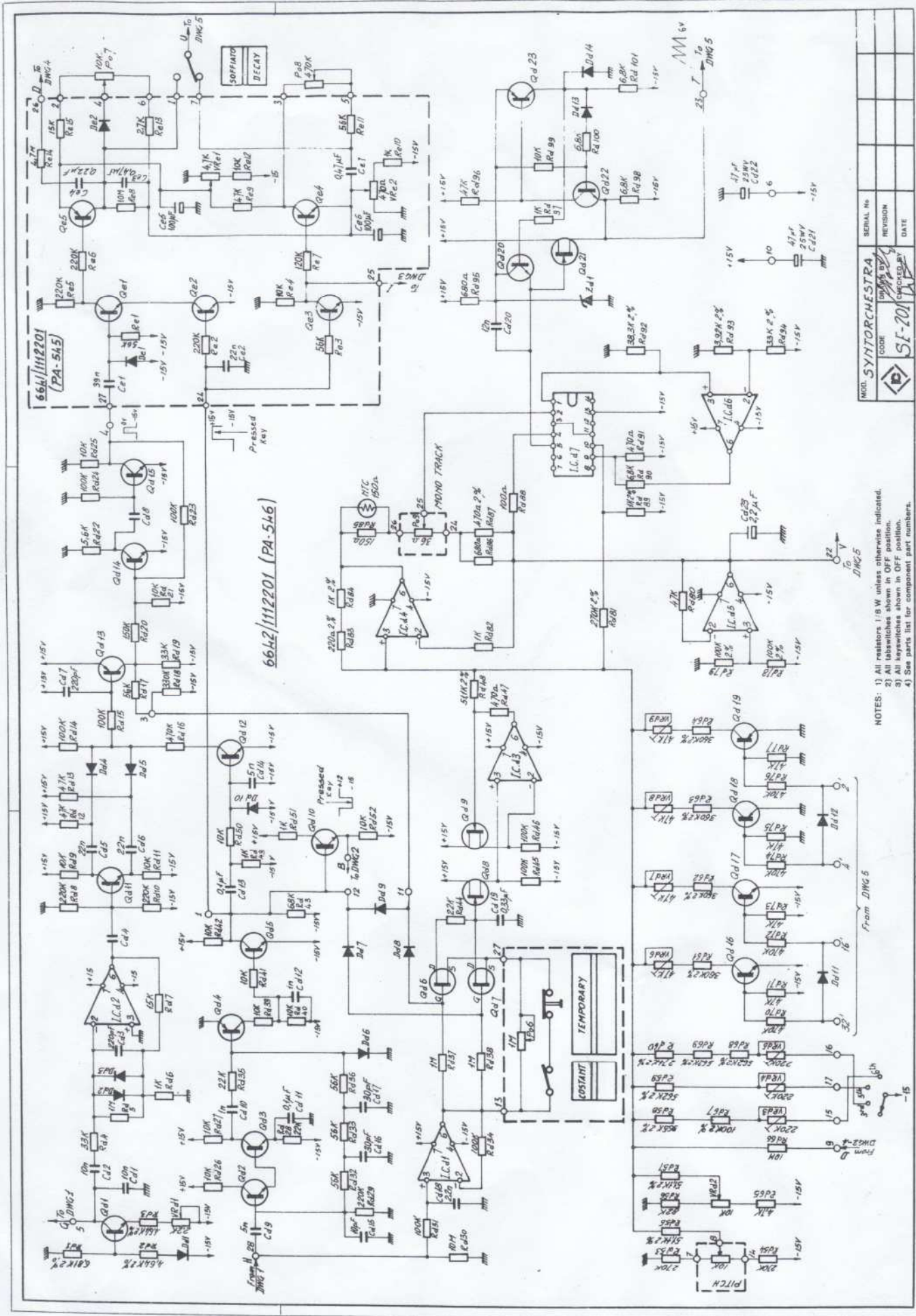










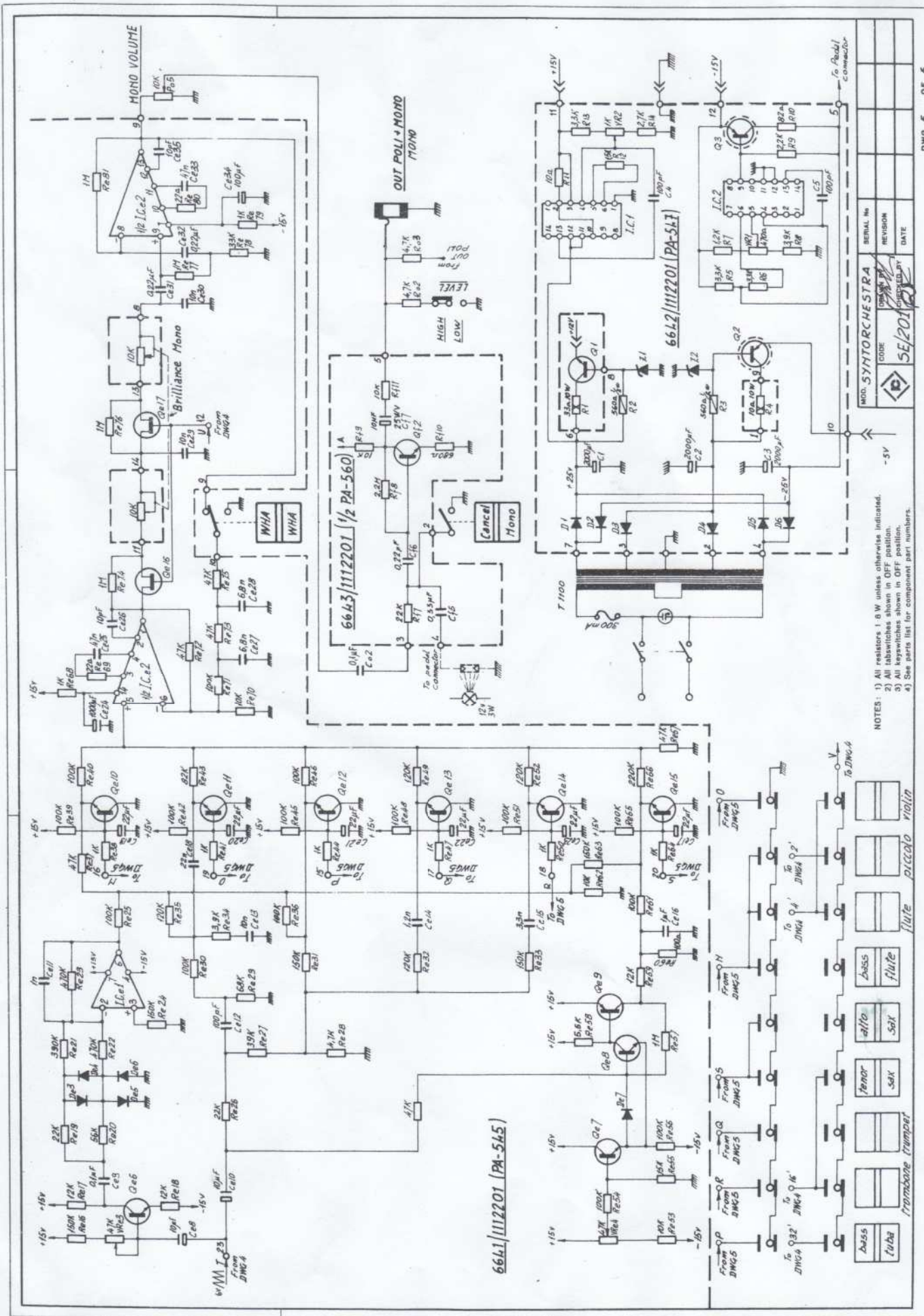


6642/1112201 (PA-546)

664/1112201 (PA-545)

- NOTES: 1) All resistors 1/8 W unless otherwise indicated.  
 2) All transistors shown in OFF position.  
 3) All keyswitches shown in OFF position.  
 4) See parts list for component part numbers.

MOD. SINTORCHESTRA	SERIAL No
CODE	REVISION
51-201	DATE



NOTES: 1) All resistors 1/8 W unless otherwise indicated.  
 2) All switches shown in OFF position.  
 3) All keyswitches shown in OFF position.  
 4) See parts list for component part numbers.

MOD. SYNTORCHESTRA	SERIAL No	REVISION	DATE
CODE	DESIGNED BY	ASSEMBLED BY	
6661/1112201	SE/201		



Schem.Ref.	Circuit	Type	Part Code
<u>CHASSIS</u>	<u>POWER SUPPLY (DWG 5/SE 201)</u>		<u>8000/1112201</u>
Q 1	Series Stabilizer.....	Westinghouse 156 - 043 RCA 2N 3055.....	W/1800-W/1801
<u>PA 547</u>	<u>VOLTAGE REGULATOR BOARD (DWG 5/SE 201)</u>		<u>6645/1112201</u>
Q2 - Q3	Series Stabilizer.....	BC 287.....	W/1702
I.C.1-I.C.2	Series Stabilizer.....	BC 303 - 6.....	W/1209
D1 + D6	Rectifier Diodes.....	TEXAS-SN 72723N.....	B/1000
Z 1	Zener Diode (13V - 1W).....	IX 9809.....	B/1001
Z 2	Zener Diode (5,6V - 400mW).	ITT - ZY 13.....	B/1418
		ITT - ZPD 5,6.....	B/1309
<u>PA 542</u>	<u>KEYSWITCH (DWG 1/SE 201)</u>		<u>6637/1112201</u>
Q a1	Switch.....	BC 209 - B.....	W/1407
		BC 239 - B.....	
D a1+D a37	Diodes.....	S.G.S. IX 9809.....	B/1000
		TEXAS 1N 4148.....	B/1003
<u>PA 544</u>	<u>ELECTRONIC SWITCHING POLY (DWG 2-3/SE 201)</u>		<u>6639/1112201</u>
Q c1	Gate.....	} BC 209 - B.....	W/1407
Q c2	Switch.....		
Q c3-Q c4	Oscillator Vibrato.....		
Q c5	Buffer.....		
Q c6-Q c7	Oscillator Vibrato.....		
Q c8	Buffer.....		
Q c9	Active Filter.....		
Q c10	Preamplifier.....		
Q c11+Q c14	Mute Switches.....		
Q c15-Q c16	Dual Fet.....		
Q c17	Switch.....	BC 209 - B.....	W/1407
		BC 239 - B.....	
I.C. c1	Preamplifier.....	TEXAS - TIS 70.....	W/2001
<u>PA 555</u>	<u>GATE BOARD (DWG 2/SE 201)</u>		<u>6640/1112201</u>
I.C.	Gate To 12 emitter.....	ITT-TDA 0470.....	W/1207

Schem.Ref.	Circuit	Type	Part Code
<u>PA 565</u>	<u>POLYPHONIC TONE GENERATOR (DWG 2/SE 201)</u>		<u>6646/1112201</u>
I.C. b1	Nand Gate.....	SN 7400.....	W/1000
I.C. b2	Fase Generator.....	SN 29858N.....	W/1011
I.C. b3	Dual On-Shot.....	SN 29730N.....	W/1009
I.C. b4	Dual J-K Flip - Flop.....	SN 7473.....	W/1002
I.C. b5	G.I. Synthesizer.....	G.I.E. AY-1-0212.....	W/1105-1
I.C. b6+9	Frequency Dividers.....	G.I.E. AY-1-5050.....	W/1100 W/1101
D b1	Diode.....	IX 9808..... 1N 4148.....	B/1000-B/1003
<u>PA 560</u>	<u>POLY - MONO PREAMPLIFIER (DWG 3-5/SE 201)</u>		<u>6643/1112201</u>
Q f1-Q f2	Preamplifiers.....	BC 209 - B..... BC 239 - B.....	W/1407
<u>PA 546</u>	<u>MONOPHONIC TONE GENERATOR (DWG 4/SE 201)</u>		<u>6642/1112201</u>
Q d1	Current Reference Generator } Oscillator.....	BC 209 - B..... BC 239 - B.....	W/1407
Q d2-Q d3	Integrator.....	BC 154.....	W/1500
Q d4	Switch.....	BC 209 - B..... BC 239 - B.....	W/1407
Q d5	Switch Fet.....	AMELCO 2N 4304.....	W/2000
Q d6-Q d7	Dual Fet.....	TEXAS TIS 70.....	W/2001
Q d8-Q d9	Switch.....	BC 209 - B..... BC 239 - B.....	W/1407
Q d10	Preamplifier.....	BC 209 - B..... BC 239 - B.....	W/1407
Q d11	Switch.....	BC 154.....	W/1500
Q d12	Switch.....	BC 209 - B..... BC 239 - B.....	W/1407
Q d13	Switch.....	BC 154.....	W/1500
Q d14-Q d15	One-Shot.....	BC 209 - B..... BC 239 - B.....	W/1407
Q d16-Q d17	Switches.....	BC 154.....	W/1500
Q d18-Q d19	Switches.....	BC 209 B - BC 239 B...	W/1407
Q d20	Switch.....	AMELCO 2N 4304.....	W/2000
Q d21	Fet.....	BC 154.....	W/1500
Q d22-Q d23	Switches.....	TEXAS SN 72741 P.....	W/1210
I.C. d1	Buffer.....	FAIRCHILD 741 TC.....	
I.C. d2	Preamplifier.....		
I.C. d3	Sample And-Hold.....		
I.C. d4	Voltage Summer.....		
I.C. d5-6	Reference Voltage Generator }	R.C.A. CA 3046.....	W/1211
I.C. d7	Transistor Arrays.....	ITT ZY 6,2.....	B/1410
Z d1	Zener Diode (6,2V-1W).....	S.G.S. IX 9809.....	B/1000-B/1003
D d1+D d14	Diodes.....	FAIRCHILD BA 130.....	



Schem.Ref.	Circuit	Type	Part Code
<u>PA 545</u>	<u>MONOPHONIC FILTERS (DWG 4-5/SE 201)</u>		<u>6641/1112201</u>
Q e1+Q e4	Switches.....	BC 209 - B.....	W/1407
		BC 239 - B.....	
Q e5	Switch.....	BC 154.....	W/1500
Q e6	Triangle Wave Shaper.....	BC 209 - B.....	W/1407
Q e7+Q e8	Trigger.....	BC 239 - B.....	W/1407
Q e9	Trigger.....	BC 154.....	W/1500
Q e10+Q e15	Mute Switches.....	BC 209 - B.....	W/1407
		BC 239 - B.....	
Q e16-Q e17	Dual Fet.....	TEXAS - TIS 70.....	W/2001
I.C. e1	Sine Wave Shaper.....	SN 72741 P.....	W/1210
I.C. e2	Preamplifier.....	SN 76131.....	W/1201
D e1+D e7	Diodes.....	S.G.S. IX 9809.....	B/1000-B/1003
		FAIRCHILD BA 130.....	